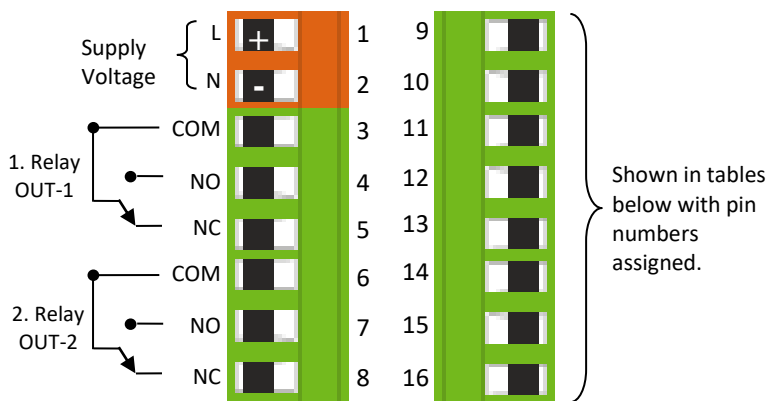




- 4 different analogue input on one device
- Two lines display;
The first line shows the analog process value from the sensor and the second line shows the unit or relay set point for the measured value
- Load Cell can also be connected
- RS-232, RS-485, USB or CANopen communication
- 2 relay outputs which can be set in different functions
- Analog output options (0-10V, 0-5V, 0.5-4.5V, 4-20mA, 0-20mA)
- Invertible analog output (eg, 0 V, 20-0 mA)
- High refresh rate: 3.5 kHz
- Converting analogue signals (4-20 mA, 0-20 mA, 0-10 V, potentiometric, ratiometric) to CANopen signals, and CANopen signals to analogue.
- Fast and easy parameter configuration via USB
- Compact design
- User friendly and easy interface
- Tare function (scaling to zero)
- Password protection and Hide function for menu

CONNECTIONS



TECHNICAL PROPERTIES

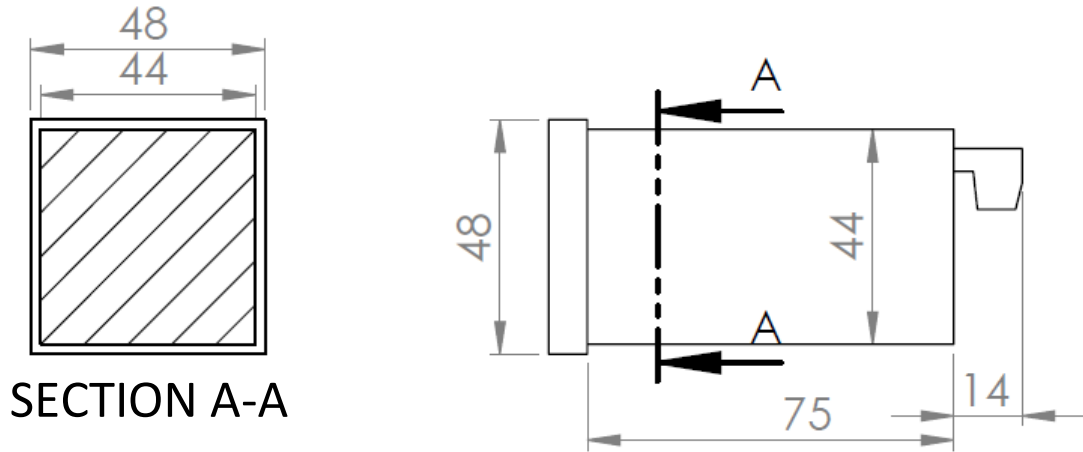
Display	1st Line: 7-segment LED, digit height:7mm 2nd Line: 7-segment LED, digit height:7mm
Supply Voltage	24 V _{AC/DC} 50/60 Hz 85-265 V _{AC} 50/60 Hz
Power usage	9 VA / 2,7 Watt Max
Sensor Supply Voltage	<u>Pot:</u> 10 V _{DC} <u>mV/V:</u> 10 V _{DC} <u>0-10V:</u> 24 V _{DC} <u>4-20 mA:</u> 24 V _{DC} <u>CANopen:</u> 24 V _{DC}
Max Sensor Supply Current	100 mA
Refresh Rate	3.5 kHz
Resolution	16 bit
Analogue Inputs	Potentiometer, 0.5-4.5 V, 0-5 V, 0-10 V, 4-20 mA, 0-20 mA, 3.33 mV/V, 2mV/V, 2.5mV/V Ratiometric
Relay Outputs	2 x 250 V _{AC} 3A Relay
Serial Communication (Optional)	RS-232, RS-485, USB, CANopen
Analogue Outputs (Optional)	0-10 V, 0-5 V, 0.5- 4.5 V, 4-20 mA, 0-20 mA
Electrical Connection	2,5 mm ² Universal Terminal
Weight	200 gr
Operating Temperature	0 ... 50 °C
Protection Class	IP60 Front Panel, IP20 Back Panel

Digital Conn.	9	10	11	Analog Outputs	12	13	
RS485	A	B	GND	4-20 mA 0-20 mA 0-10 V 0-5 V 0.5-4.5 V	Signal Output	GND	
RS232	Rx	Tx	GND				
USB HID	USB CONNECTOR				Tare Input	Tare Input	GND
USB VIRTUAL	USB CONNECTOR						
CANopen	CAN HIGH	CAN LOW	GND				

SENSOR	12	13	14	15	16
Potentiometer	X	X	1. pin	2. pin	3. pin
4-20 mA Input 0-20 mA Input 0-10 V Input 0-5 V Input 0.5-4.5 V	X	X	Sensor Supply	Signal input	GND
mV/V Input	Signal(+)	Signal(-)	Supply	X	GND

Physical Interface	Protocol
RS-232, RS-485, VCP	ASCII, ModBus_RTU, ModBus_ASCII
USB	HID DEVICE
CAN	CANopen

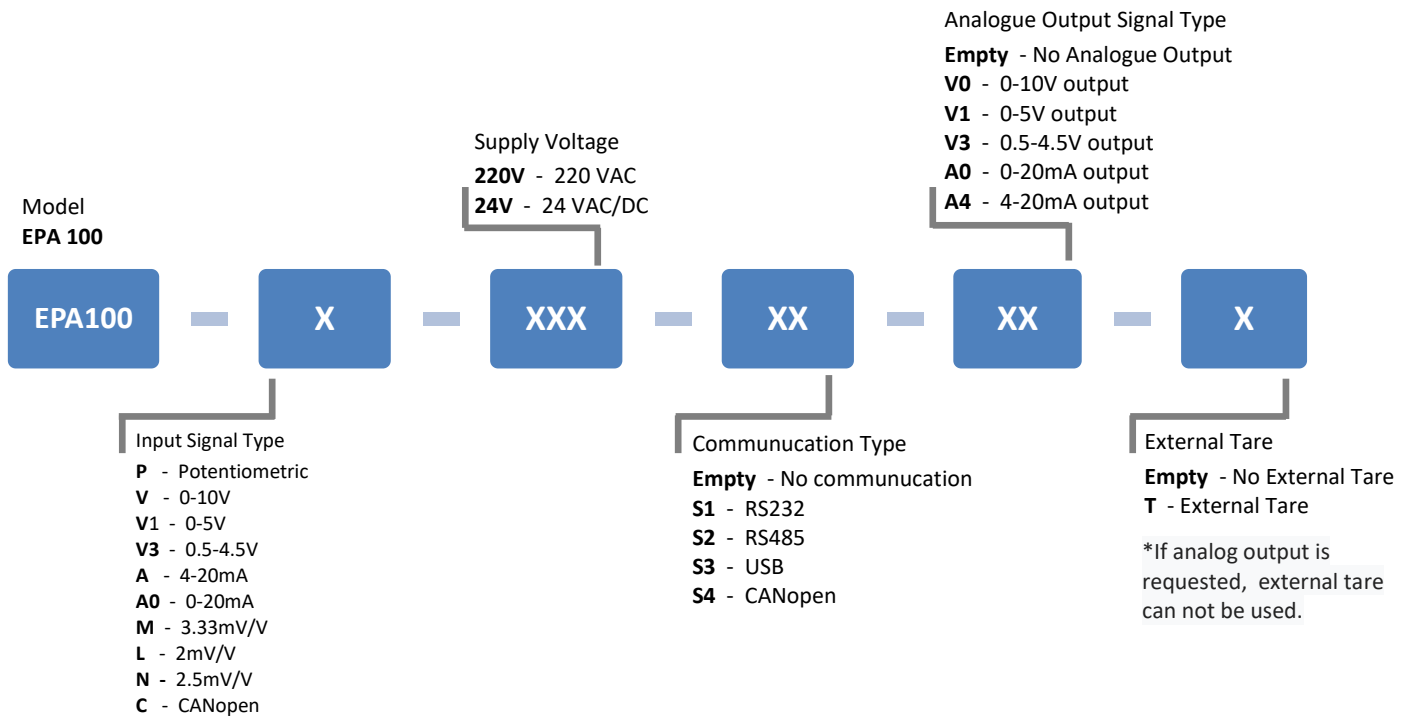
Mechanical Dimensions



SECTION A-A

Order Coding

Use the following coding format when you will order your EPA 100 process controller.



*If the input signal type is selected as mV/V (M, L, N), the analog output signal (V0, V1, V3, A0, A4) cannot be received.

Sample product code: **EPA100-P-220V-S2-A4-T**
EPA100-M-220V-S2-T

PRC Technologies Corp., Ltd. Tel: 02 530 1714, 02 530 1619, 02 530 1621 Fax: 02 530 1731 Email: info@prctechth.com, www.prctechth.com

Atek Elektronik Sensör Teknolojileri



Gebze OSB, 800. Sokak, No:814 Gebze/KOCAELİ/TÜRKİYE
Tel: +90 262 673 76 00 Fax: +90 262 673 76 08
www.ateksensor.com info@ateksensor.com