



- 1600, 2100, 2500 mm measuring lengths
- Robust stainless steel measuring wire
- Delrin housing
- Potentiometric output
- IP40 protection class
- Compact design and easy mounting
- 0.5 m/s maximum movement speed
- Shock/vibration resistant

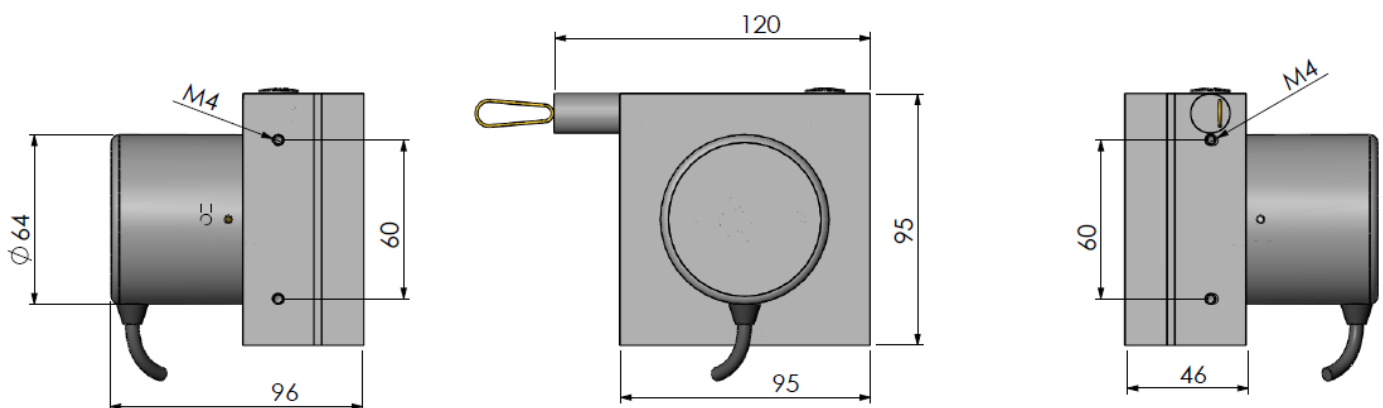
MECHANICAL DATA

Measuring Lengths (stroke)	1600, 2100, 2500 mm (ask for others)
Max. Movement speed	0.5 m/s
Required Force	5 N
Protection class	IP40
Operating Temperature	-25°C...+85°C
Material	Body: Delrin
	Measuring wire: Stainless steel
Weight	~660 gr

ELECTRICAL DATA

Measuring principle	Potentiometric
Supply voltage	42V max.
Signal output type	Potentiometric
Resistance	5 K Ω (standard), 10 K Ω
Linearity	\pm 0.5 FS

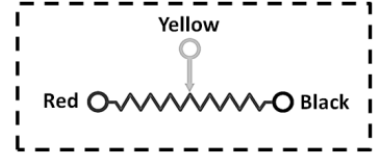
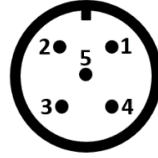
MECHANICAL DIMENSIONS (mm)



ELECTRICAL CONNECTIONS

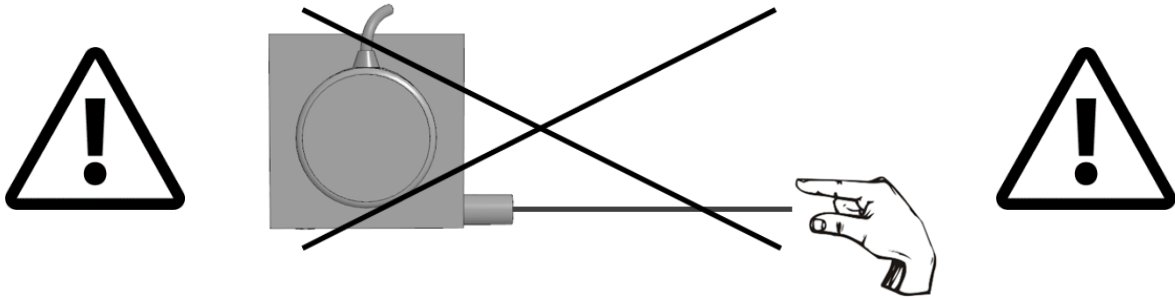
Never make or undo electrical connections to the sensor when voltage is applied, otherwise this may result in damage to devices.

Signal	Cable	M12/5 Pin Male Connector
Earth	Silver	Pin 1
+V	Red	Pin 2
0V	Black	Pin 3
Pot signal	Yellow	Pin 4
N/C	N/C	Pin 5



WARNING

Never release the wire after pulling. Otherwise, the coil spring will be damaged.



ORDER CODE

Model		Resistance	
AWP116	-	XXXX	- XX
Measuring Length 1600: 1600 mm 2100: 2100 mm 2500: 2500 mm *Ask for other lengths		Electrical Connection 3M : 3 m cable (std) 5M : 5 m cable 10M : 10 m cable S13M : M12 5 pin male socket	

PRC Technologies Corp., Ltd. Tel: 02 530 1714, 02 530 1619, 02 530 1621 Fax: 02 530 1731 Email: info@prctechth.com, www.prctechth.com

Atek Elektronik Sensör Teknolojileri Sanayi ve Ticaret A.Ş.

Gebze OSB, 800. Sokak, No:814 Gebze/KOCAELİ/TURKEY

Tel: +90 262 673 76 00

Fax: +90 262 673 76 08

www.ateksensor.com

info@ateksensor.com