

SED 100 Series

“Magnetic Detection, High Sensitivity, Stable Operation



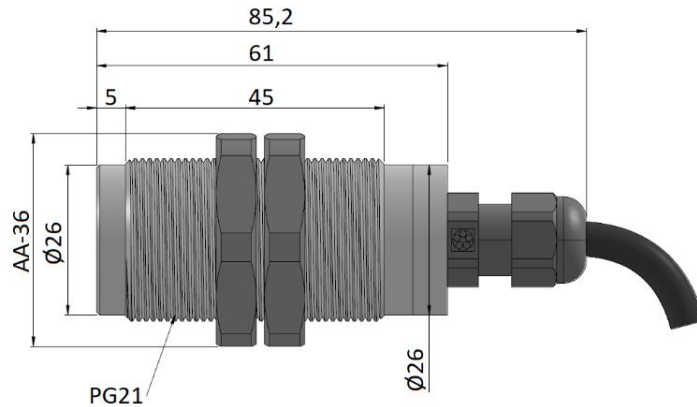
- High sensitivity magnetic sensor
- 2 sensitivity levels:
 - Normal sensitivity : 0 - 25 ± 5 cm
 - High sensitivity : 0 - 35 ± 10 cm
- 6-24VDC supply voltage
- Normally open contact output
- IP67 protection
- Compact design
- Easy installation and use

The SED100 seam detector sensor is part of the fabric edge detection system commonly used in fabric dyeing machines. It offers a convenient solution for edge detection and tour control. With the advanced magnetic detection principle, the detection efficiency is at the highest level.

TECHNICAL FEATURES

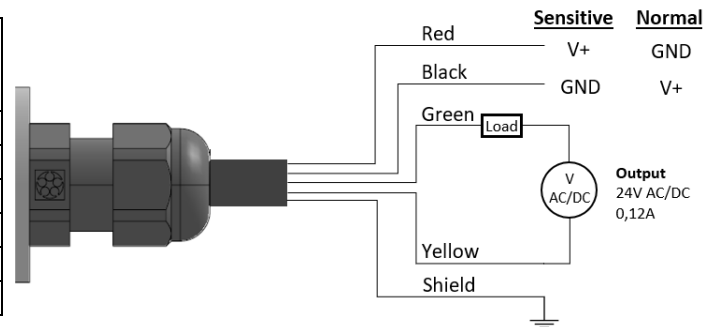
Sensor Type	Magnetic
Sensing Distance	Normal sensitivity : 0 - 25 ± 5 cm
	High sensitivity : 0 - 35 ± 10 cm
Sensing Speed	0.64 - 16.6m/sn (from 10 - 20 cm distance)
Output Pulse Length	2sn
Sensing Magnet	AlNiCo
Signal	Detection : Red LED
	High sensitivity: Blue LED
	Normal sensitivity: Green LED
Supply Voltage	6-24 VDC
Load Current	120mA
Sensor Current Consumption	13mA
Sensor Power Consumption	Min : 0.078W / Max : 0.312W
Output Protection	Short circuit protection
Output Type	Normally Open (NO)
Connection Cable	5x0,14mm ² PUR cable
Material	PA6 (Polyamide 6)
Operating Temperature	0-95°C
Protection	IP67

MECHANICAL DIMENSIONS (mm)



ELECTRICAL CONNECTIONS

SIGNAL		CABLE
High Sensitivity	Normal Sensitivity	
+V	GND	Red
GND	+V	Black
S1 (Load)		Green
S2		Yellow
N/C		Pink
EARTH		SHIELD



ORDER CODE

Model

SED 100

XX

Electrical Connection

3M : 3 meters cable (std)

*Ask for others.

www.ateksensor.com