

GENERAL FEATURES

- One-sided actuating rod
- Measuring distance (stroke) options between 10mm and 100mm
- M10x0,75 bushing (optional others)
- Potentiometric measurement
- 1K, 5K and 10K resistance options
- $\pm 1\%$ high linearity
- Long life up to 5 million movements
- Compact design
- IP65 protection

APPLICATIONS

- Gas pedal

TECHNICAL SPECIFICATIONS

Electrical Data

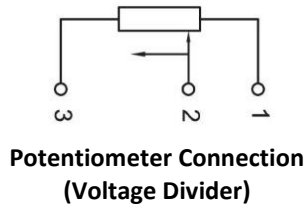
Model	LK 010	LK 025	LK 050	LK 075	LK 100
Electrical Stroke (mm)	10	25	50	75	100
Independent Linearity	$\pm 1\%$				
Repeatability	0.05 mm				
Output Type	Potentiometric				
Resistance	1K, 5K, 10K (optional other)				
Resistance Tolerance	$\pm 20\%$				
Supply Voltage	42V max.				
Minimum Life (electrical)	10 million cycles				
Electrical Connection	3x0,102 mm ² soft PVC cable (optional other)				

Mechanical Data

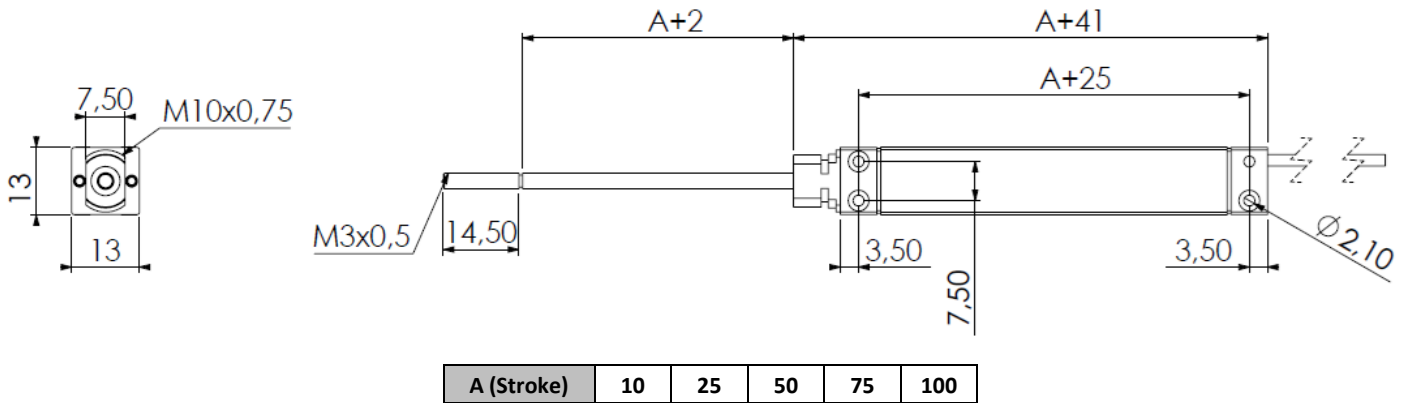
Model	LK 010	LK 025	LK 050	LK 075	LK 100
Mechanical Stroke (mm)	12	27	52	77	102
Adjusting force of the push rod	3N max.				
Operating Temperature	-25°C ... +75°C				
Storage Temperature	-25°C ... +105°C				
Protection Class	IP65				
Minimum Life (mechanical)	5 million cycles				
Rod Material	Stainless Steel				
Body Material	Aluminum				

ELECTRICAL CONNECTION

SIGNAL	CABLE COLOR
+V	Green (1)
Output Signal	Red (2)
-V	Yellow (3)



MECHANICAL DIMENSIONS (mm)



ORDER CODE

Model	-	XXX	-	XXX	-	XXX
Resistance Value						
1K : 1K						
5K : 5K						
10K : 10K						
Measuring Lengths (stroke)						
010 : 10mm						
025 : 25mm						
050 : 50mm						
075 : 75mm						
100 : 100mm						
Electrical Connection						
0.15M : 15 cm cable						
*Optional others						